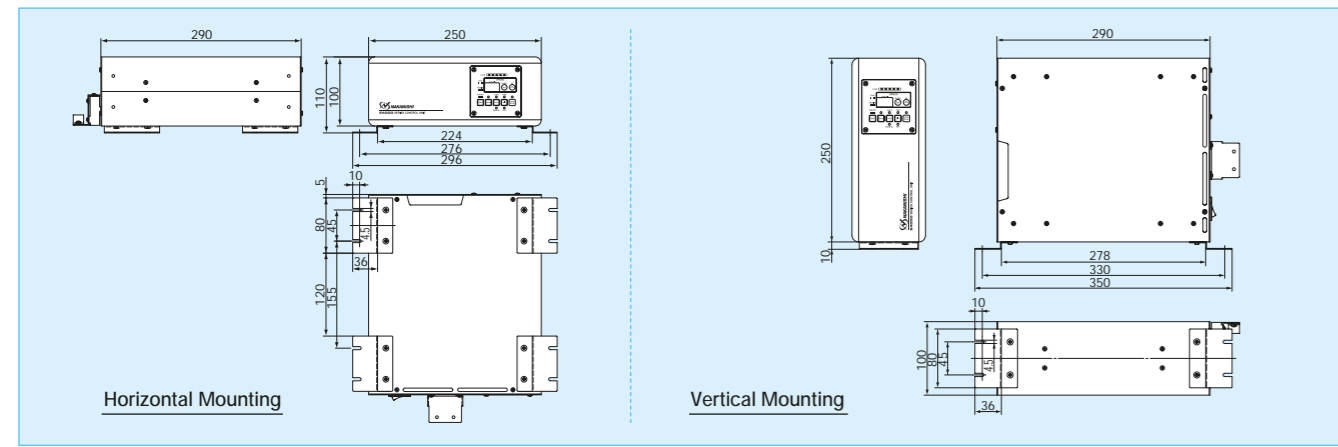


▼ Mounting Bracket



▶ OPTIONAL PARTS

Safety Relay Box

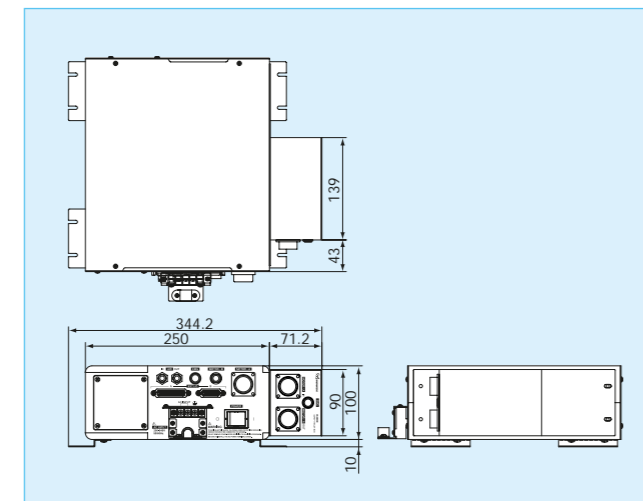
■ Mounts directly on E4000 Control Unit.
Allows Emergency Stop Signal from the CNC to stop the E4000 Motor Spindle or the E4000 Control Unit to stop the machine operation.



CAT. No.	8475	Model	—
----------	-------------	-------	---

< Specifications >
• Power Cord (400 mm) • Emergency Stop Cord (400 mm)

▼ Example of placing E4000 control unit with E4000 Safety Relay Box



Operation Panel Extension Cord / Box For Control Panel

Product	CAT. No.	Description / Specifications	Fit to
	8474	Operation Panel Extension Cord (4m)	E4000 Control Unit
	8473	Box For Control Panel • Case A • Case B • Blind Plate • Screw (M3) : 6 pcs. • Screw (M4) : 2 pcs.	E4000 Control Unit

⚠ Please purchase both the motor cord to drive the motor and the motor cord to signal the motor

▼ Power Cable with Air Hose

Product	CAT. No.	Model	Length	Std. Accessories	Fit to
	9253	EMCD-4000-2M	2m	• Air Hose	BMS-4020 BMS-4040 BMS-4020RA BMS-4040RA
	9254	EMCD-4000-4M	4m		
	9255	EMCD-4000-6M	6m		
	9256	EMCD-4000-8M	8m*		

▼ Signal Cable

Product	CAT. No.	Model	Length	Std. Accessories	Fit to
	9257	EMCD-4000S-2M	2m	—	BMS-4020 BMS-4040 BMS-4020RA BMS-4040RA
	9258	EMCD-4000S-4M	4m		
	9259	EMCD-4000S-6M	6m		
	9260	EMCD-4000S-8M	8m*		

*Never use for 90° Angle Motor.

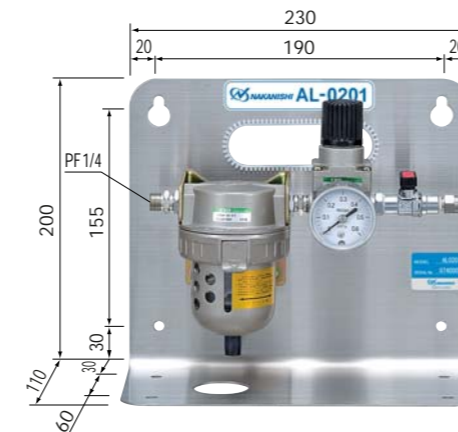
*Never use for 90° Angle Motor.

■ Parts

Product	CAT. No.	Model	Inside Diameter : ød	Fit to
	93130	CH16-3.0	ø3.0	BMS-4020 / BMS-4020RA BMS-4040 / BMS-4040RA
	93193	CH16-3.175	ø3.175	
	93140	CH16-4.0	ø4.0	
	93160	CH16-6.0	ø6.0	
	93196	CH16-6.35	ø6.35	
93180	CH16-8.0	ø8.0		
	2161	CHN-16	Chuck Nut for Collet Chuck (CH16)	BMS-4020 / BMS-4020RA BMS-4040 / BMS-4040RA

Air Line Kit

AL-0201 (For ø6mm Hose)



■ The AL-0201 is a **Clean air** supply unit. Dust and moisture in the compressed air are eliminated by the filter in the first stage and regulator provides accurate and stable air to the control unit.

Filter Mesh 0.3 µm

CAT. No.	1541	Model	AL-0201
----------	-------------	-------	---------

< Standard Equipment · Accessories >
• Air Filter • Air Regulator • Air Pressure Gauge
• Air ON-OFF Valve • Hose for Piping (K-275) : 2m

*Please mention "Code Number" upon your order.

• Specifications may be changed without notice.

NAKANISHI INC. www.nakanishi-inc.com

Headquarters | 700 Shimohinata, Kanuma-shi, Tochigi-ken 322-8666, Japan
TEL : +81(0)289-64-3380 FAX : +81(0)289-62-5636

TokyoOffice | 9F TIXTOWER UENO, 4-8-1, Higashiueno, Taito-ku, Tokyo 110-0015, Japan
TEL : +81(0)3-5828-7740 FAX : +81(0)3-5828-0064



HIGH TORQUE BRUSHLESS MOTOR SPINDLE

E-speed
NEW E4000 Series

Ultra-high-Speed & Super-Precision



E4000 Control Unit



- Max.** 40,000min⁻¹ Specification
- Max. Power** 1,200W (Rated Power 400W)
- Max. Torque** 1.0N·m (For BMS-4020)

CNC Interface for Controlling & Monitoring

- **External Control**
 - Start / Stop
 - FWD. / REV.
 - Motor Speed Setting
 - Alarm Reset
- **External Monitor**
 - Start / Stop
 - Motor Speed
 - Rotation Pulse
 - Warning
 - Error

*Interface cable to be arranged by customer.



High Performance Electric Circuit

High grade feedback loop to maintain constant spindle speed if load is varied.

LED Load Meter

- Continuous load area
- Intermittent load area
- Overload

Motor Speed Display

Motor Speed is displayed precisely and digitally, and set the speed by 100min⁻¹.

Dimensions : W250 x D290 x H100 mm

ELECTRIC SYSTEM	Motor Speed	Power Source	Max. Power	Rated Power	Power Consumption	Weight
E4000 Control Unit	2,000-40,000min ⁻¹	AC200V-240V	1,200W	400W	3.2A	6.7kg

Plug Type	200V-240V Without Plug	CAT. No.	8472	Product	E4000 Control Unit

< Standard Equipment · Accessories >

- Power Cord : 4m
- Air Hose with filter : 2m
- Connector Cap (Provided)
- Connector Cover (Provided)
- Bracket : 4 pcs.
- Rubber Pad : 4 pcs.

BRUSHLESS MOTOR SPINDLE (One Piece Type)

BMS Series



Can be used in conjunction with water or oil based coolants.

Outside Diameter ø40mm

Max. 40,000min⁻¹

Max. Power 1,200W (Rated Power 400W)

Max. Torque 1.0N·m (For BMS-4020)

Spindle Runout :
Within 1 µm

Collet Chuck :
Max. ø10.0mm*

Collet Chuck CH16-6.0

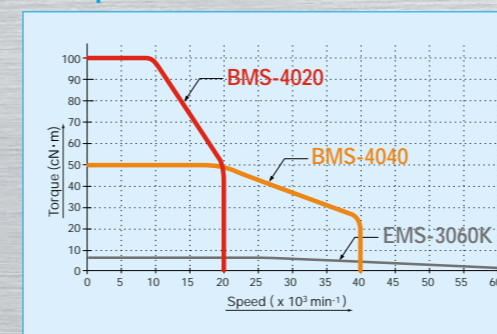
OPTION Other collet sizes are available.

*Nakanishi collets are available up to ø8mm.



Brushless Motor Spindle BMS-4040

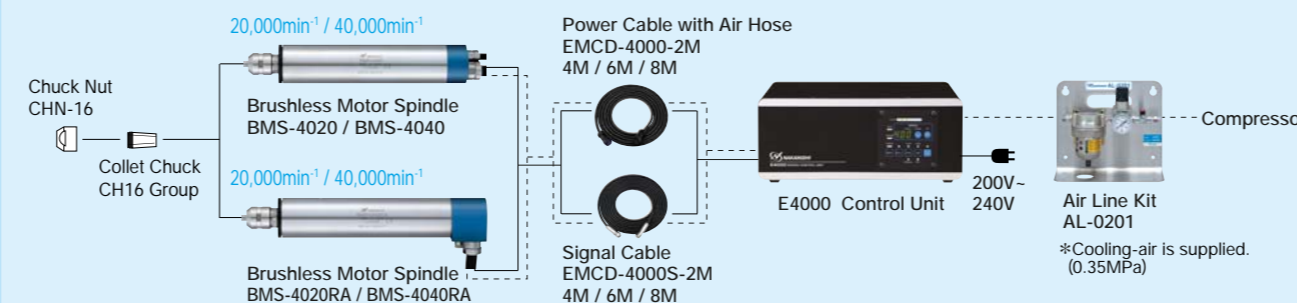
Comparison E4000 with E3000



Combination Example

CAT. No.	1784	Model	BMS-4020	Description	Motor Spindle
CAT. No.	9254	Model	EMCD-4000-4M	Description	Power Cable with Air Hose 4m
CAT. No.	9258	Model	EMCD-4000S-4M	Description	Signal Cable 4m
CAT. No.	8472	Model	—	Description	E4000 Control Unit
CAT. No.	1541	Model	AL-0201	Description	Air Line Kit

ELECTRIC SYSTEM One Piece Type ø40mm



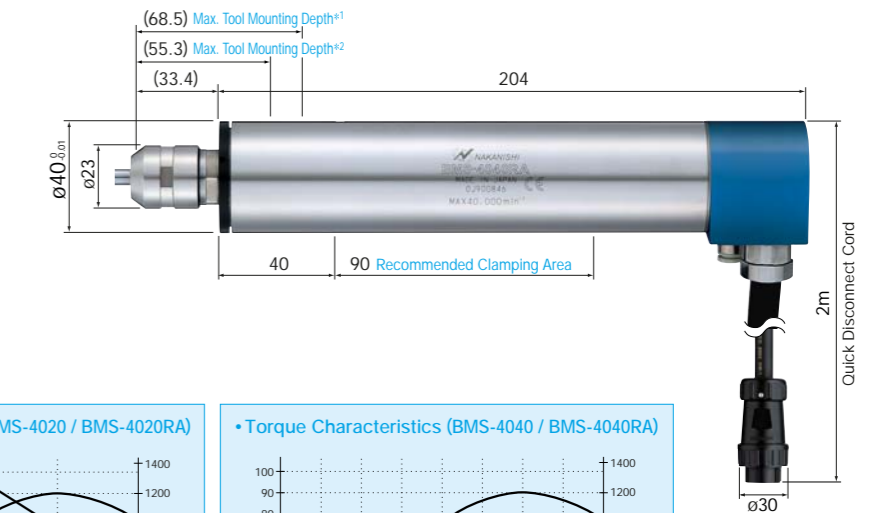
ELECTRIC SYSTEM	Brushless Motor Spindle	O.D.	Collet Chuck	Spindle Runout	Max. Power	Rated Power	Min. Bending Cord Radius
BMS Series		ø40mm	Max. ø10.0mm*	Within 1 µm	1,200W	400W	70mm

*Nakanishi collets are available up to ø8mm.

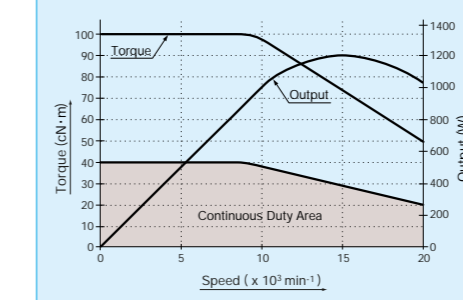
STRAIGHT TYPE BMS-4020 BMS-4040



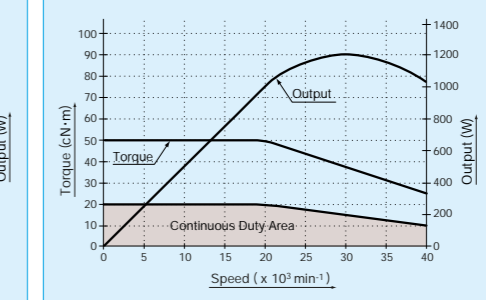
90° ANGLE TYPE BMS-4020RA BMS-4040RA



• Torque Characteristics (BMS-4020 / BMS-4020RA)



• Torque Characteristics (BMS-4040 / BMS-4040RA)



20,000min⁻¹

CAT. No.	1784	Model	BMS-4020	Shape	Straight	Max. Torque	1.0N·m	Air Pressure	0.35MPa	Weight	1.5kg	Cord Length	0.3m
CAT. No.	1785	Model	BMS-4020RA	Shape	90° Angle	Max. Torque	1.0N·m	Air Pressure	0.35MPa	Weight	2.0kg	Cord Length	2.0m

*W/O Motor Cord

40,000min⁻¹

CAT. No.	1786	Model	BMS-4040	Shape	Straight	Max. Torque	0.5N·m	Air Pressure	0.35MPa	Weight	1.5kg	Cord Length	0.3m
CAT. No.	1787	Model	BMS-4040RA	Shape	90° Angle	Max. Torque	0.5N·m	Air Pressure	0.35MPa	Weight	2.0kg	Cord Length	2.0m

*W/O Motor Cord

< Standard Equipment · Accessories >

- Collet Chuck ø6.0mm (CH16-6.0)
- Chuck Nut (CHN-16)
- Spanner (15 x 17), (22 x 27) : 1pc. each

< Specifications >

Air Flow Volume : 100NL/min

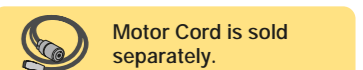
< Optional >

Collet Chuck (CH16 Group) : ø3.0-ø8.0mm

Motor Cord to drive the motor : ø30mm

Motor Cord to signal the motor : ø10mm

Air Hose : ø6mm



Motor Cord is sold separately.

*1 : In case for the shank size more than ø6.9mm to ø10mm

*2 : In case for the shank size less than ø6.9mm